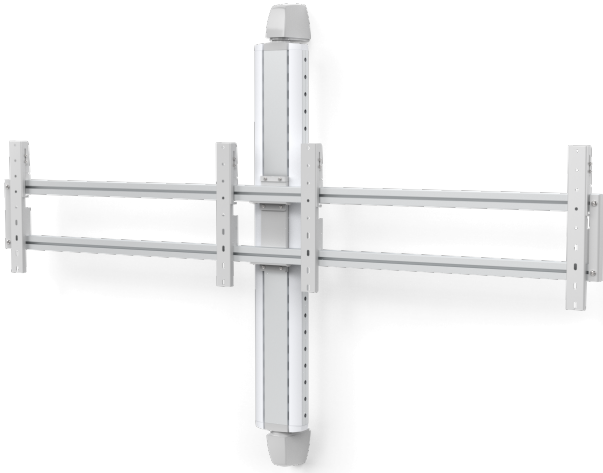


**X WH VC**

SKU: N/A



New, updated model that can be used with more screen sizes.

Our wall-mounted videoconference system, with space for double screens and a top-mounted video camera, can now accommodate screens of dimension 40-46" (depending on VESA and the weight of the screens). In addition, it is now easier to make fine adjustments of the screens during installation. The camera shelf and its bracket are ordered separately. The system can be fitted with electrical power sockets (ordered separately) and it is easy to add shelves and cabinets for DVDs and other peripherals, depending on the column length selected.

The X series is characterised by clean and refined features. The cable holder, for example, into which it is easy to place all cables by hand. The surface finish has also been given extra attention.



---

**Max weight 35****Warranty 5****Max Screen size 40 to 46"****VESA Horizontal 200 - 800****VESA Vertical 200 - 400****Placement Wall**

GALLERY IMAGES





VARIATIONS

SKU	Length [mm]
PD081010-P0	1105
PD081011-P0	1455

**ADDITIONAL INFORMATION**

**Length [mm]** 1105, 1455

*We reserve the right to introduce changes in the product specifications after the printing and publication of this document.*

*Visit [www.smartmediasolutions.com](http://www.smartmediasolutions.com) for the most recent information.*

SMS Smart Media Solutions AB

Högbergsgatan 26B, 116 20 STOCKHOLM