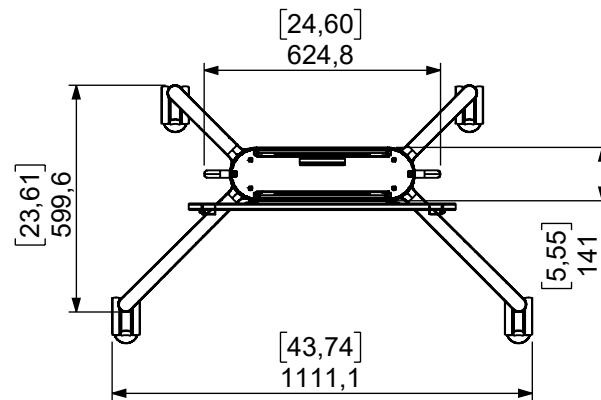
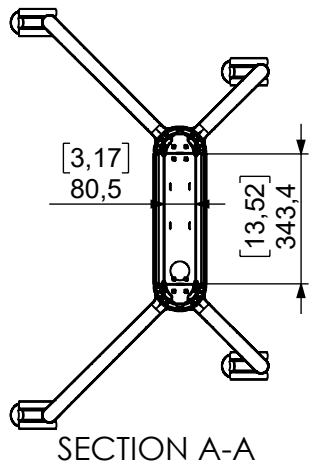
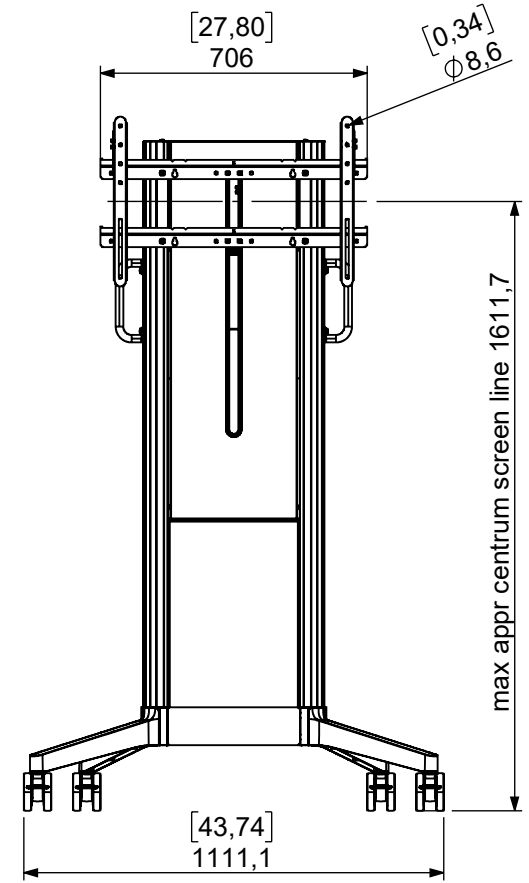
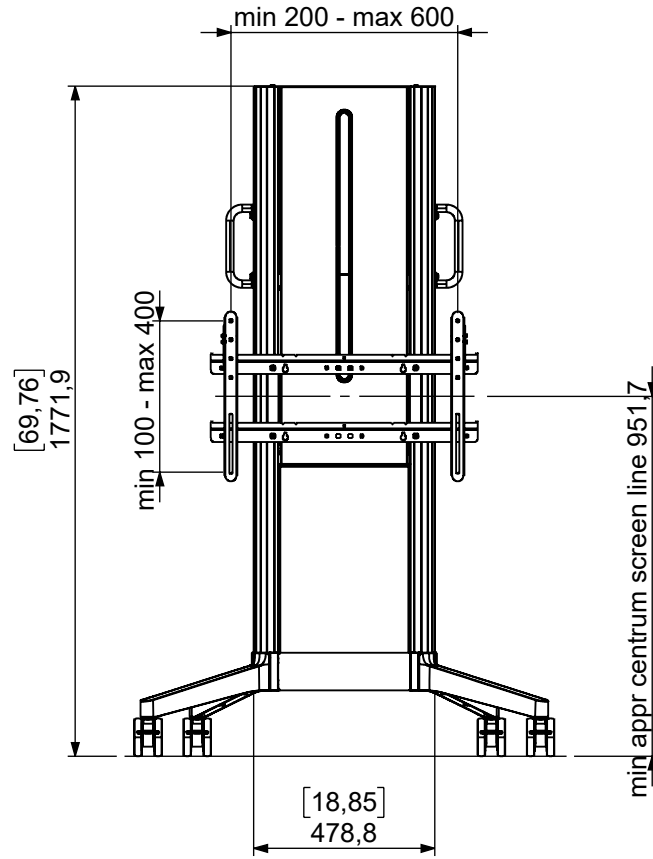
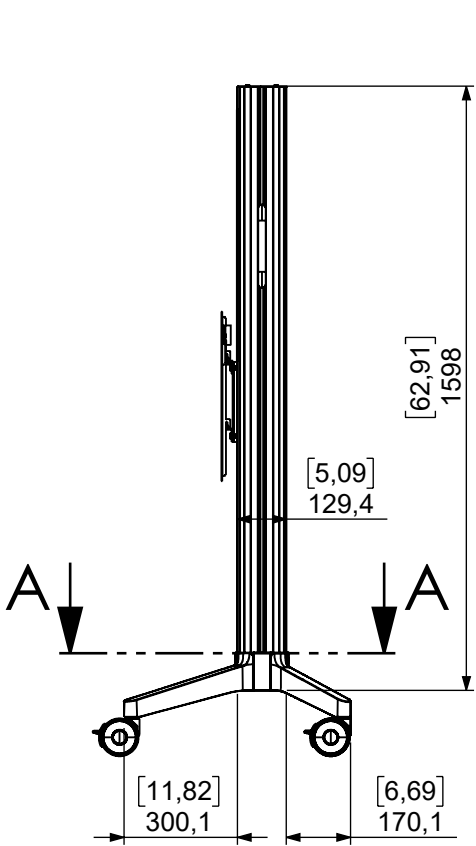


Technical drawing (mm/inch)
16-005-xx-M / EVER 350 Mobile Motor



SMART MEDIA SOLUTIONS