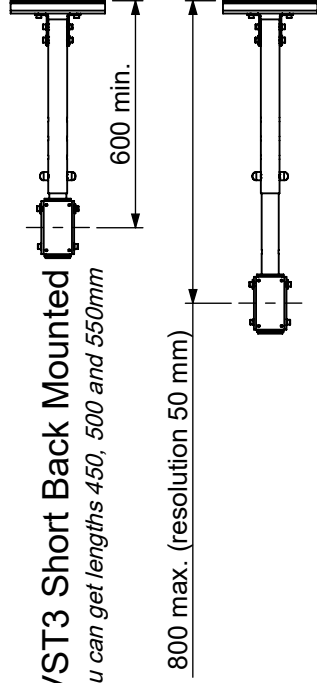
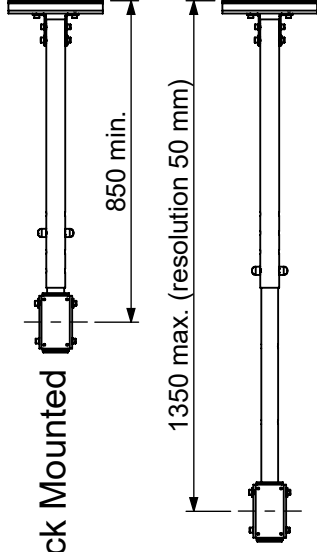


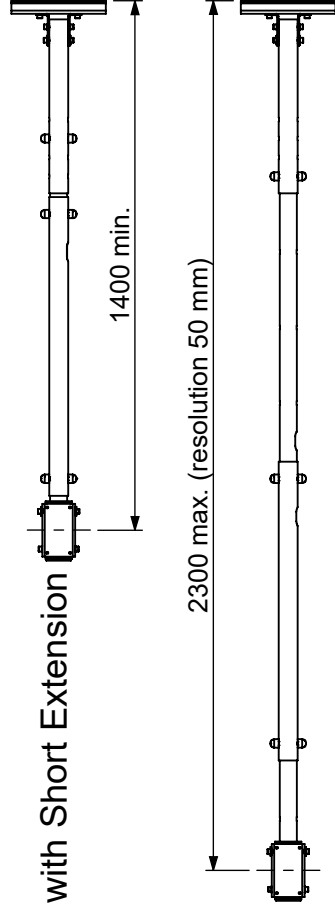
CH VST3 Short Back Mounted  
*If you cut pipes (no drilling) you can get lengths 450, 500 and 550mm*



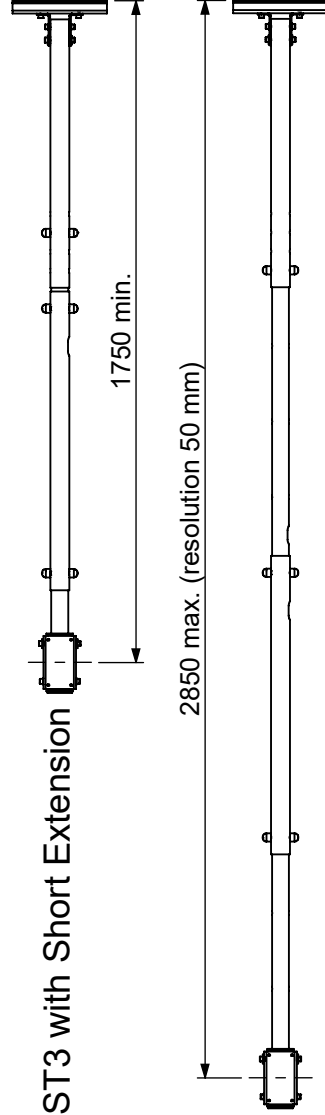
CH VST3 Back Mounted



CH VST3 Short with Short Extension



CH VST3 with Short Extension



CH VST3 with Long Extension

