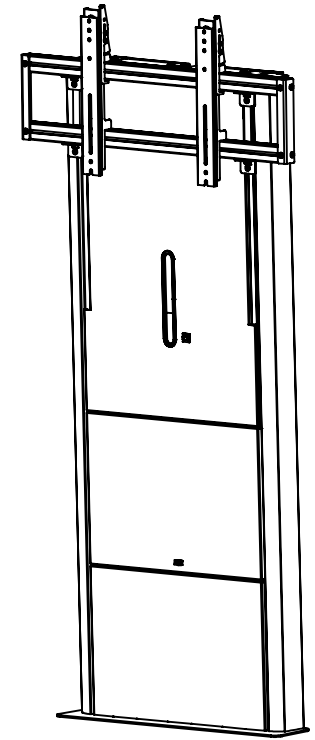
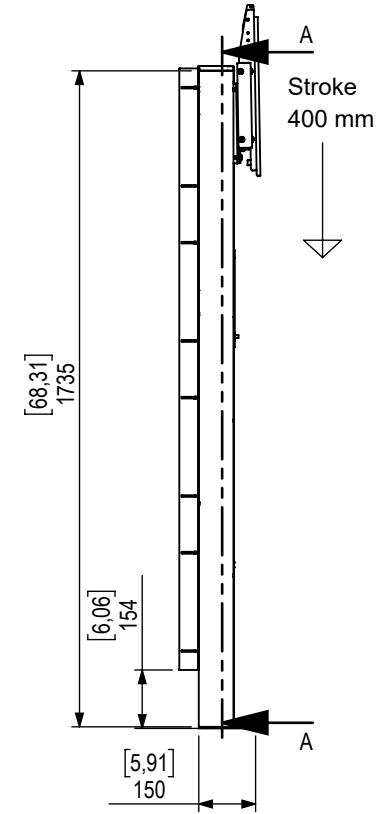
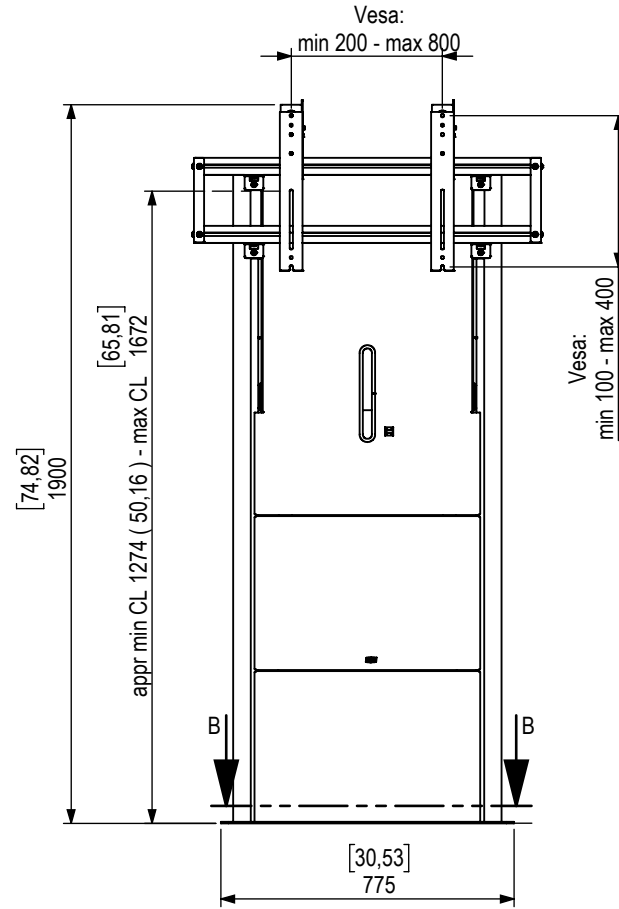
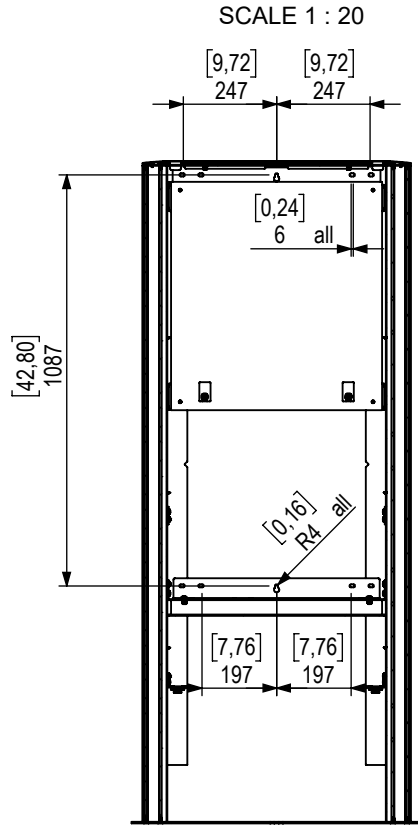


# Technical drawing (mm/inch)

## K590-001-6 SMS Presence Wall-Floor Speed dimensions

SECTION A-A  
SCALE 1 : 20



SECTION B-B  
SCALE 1 : 10

