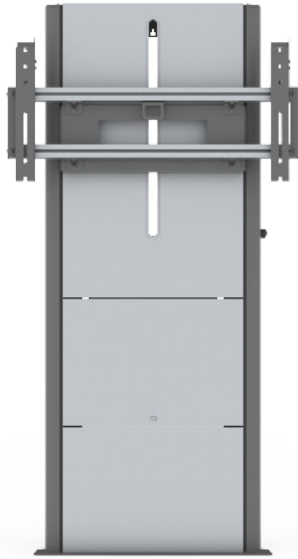


SMS PRESENCE

WALL/FLOOR MOTORIZED



Smooth and stylish access — for everyone

Do you need to mount a large, heavy display or a touch display on a regular wall? With a quick, easy and stylish installation too?

The SMS Presence Wall/Floor Motorized makes it all possible, the perfect support in the conference room.

SMS Presence Wall/Floor Motorized combines our unique Presence solution which completely hides cables and peripherals inside the body of the stand, with a smart design that shifts the weight to the floor.

This ensures that the stand itself uses very little floor space and you can mount very heavy displays on a regular wall.

Everyone can reach, thanks to the soft motorized height adjustment.

The display can be locked with a padlock or the accompanying locking pin, giving increased protection from theft and personal safety.

The design of the Presence series is, furthermore, protected.

Maximum display weight: 150 kg.
Two versions: for displays with VESA max 800 x 400 mm, or displays with VESA max 1200 x 600 mm.

Finish: Aluminium/Anthracite grey.

▲ QUESTIONS AND ANSWERS:

How do I get access to the cables and equipment inside the stand?

– Removable magnetic covers on the front of the product make it easy to gain access to cables and other media equipment.

Is my camera equipment compatible with the product?

– Yes, the SMS Presence Wall/Floor Motorized can be used with any camera. A camera shelf is sold as an accessory and can be mounted above or below the display.

▲ INFO

Finish: Aluminium/Anthracite Grey

Maximum display weight: 150 kg

Horizontal VESA: 200 – 800 mm, for article C591U007-2C0 200-1200 mm.

Vertical VESA: 100 – 400 mm, for article C591U007-2C0 100 - 600 mm.

Security: The display can be locked with a locking screw (included) or padlock (not included) to increase personal safety and security from theft.

Stroke length: 500 mm

Recommended display size: from appr. 46" and up

Extensively pre-assembled for easy installation.

Motorized up and down travel (100 VAC – 240 VAC, 50/60 Hz)

Dedicated area for cables and peripherals inside stand: 550 (W) x 380 (H) x 132 mm (D)

Protected design.

Warranty: 2 years.

▲ ABOUT THE PRODUCT

- Perfect for large and heavy displays, or touch displays up to **150 kg**.
- Quick and easy installation thanks to accurate pre-assembly.
- Stylish look of the installation, all cables and peripherals hidden inside.
- Motorized up and down travel allows you to work ergonomically.
- Two versions, for max VESA **800 x 400 mm** and for max VESA **1200 x 600 mm**.

▲ SIMPLE ORDERING

ARTICLE NO.:

C591U005-2C0 SMS PRESENCE W/F MOTOR 150 800X400 EU

C591U005-2D0 SMS PRESENCE W/F MOTOR 150 800X400 US

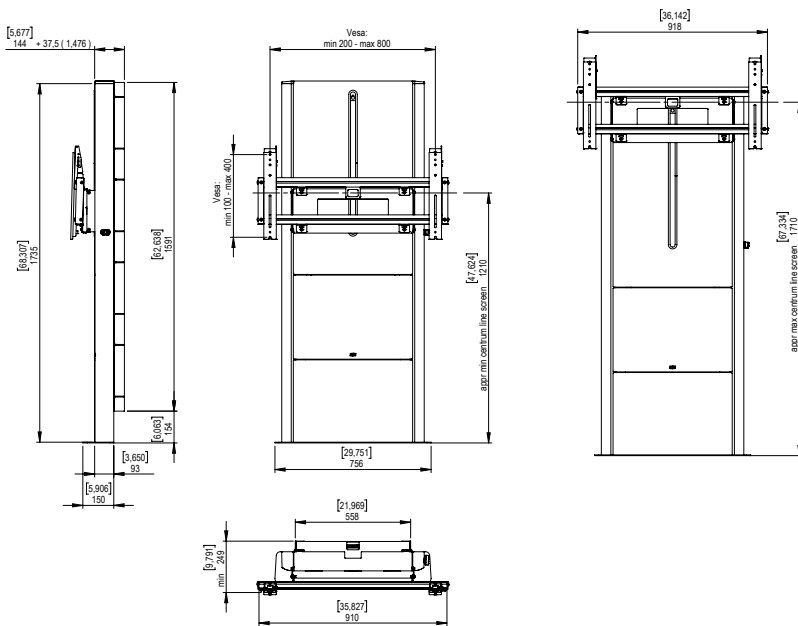
C591U005-2E0 SMS PRESENCE W/F MOTOR 150 800X400 UK

C591U007-2C0 SMS PRESENCE W/F MOTOR 150 1200X600 EU

▲ TECHNICAL DRAWING (MM/INCH)

C5-91U005-2C0 - C5-91U005-2E0

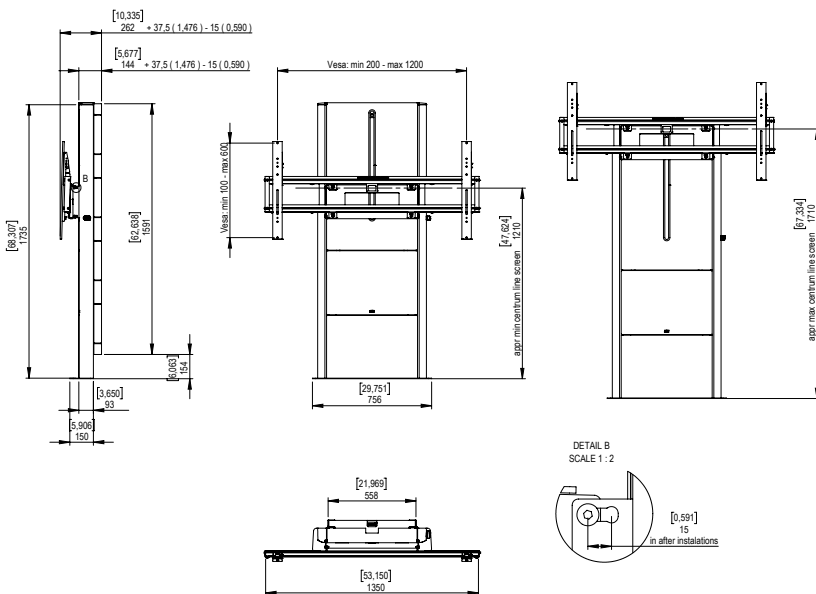
SMS PRESENCE WALL/FLOOR MOTORIZED 150 800 X 400 EU - UK - US



▲ TECHNICAL DRAWING (MM/INCH)

C5-91U007-2C0

SMS PRESENCE WALL/FLOOR MOTORIZED 150 1200 X 600 EU



▲ MOTORIZED HEIGHT ADJUSTMENT



Motorized height adjustment works with both 110 and 230 V (most markets) and allows you to work ergonomically.

▲ ACCESSORIES

AE018002 SMS REMOTE CONTROL KIT
PR100001 SMS PRESENCE CAMERA SHELF
C5-21U004-2-A SMS PRESENCE W/F TOWER BOX PERFORATED

For a complete list of accessories, see www.smartmediasolutions.se

▲ USING LITTLE FLOOR SPACE

