

Func CH VST2



Strong functionality.

The Func Flatscreen CH VST2 is a strong neat, ceiling bracket. This bracket is very functional and like most of our ceiling brackets it is tiltable to provide the best viewing angle. The cables are discreetly fed through the cylinder. The Func Flatscreen CH VST2 is a reliable choice for your heavy screen.

Special features.

The design of the adapter plate is user friendly and easy to mount. The design of the ceiling plate allows you to mount the bracket even if the ceiling is inclined. The Func Flatscreen H Unislide is included in the package.

Available in both landscape and portrait mode.

INFO

Color: Black, silver, white or Anthracite Grey.
 Max load: 50 kg/display.
 Total length (from ceiling to the screens center line): 970-1570 mm.
 Swivel & Tilt: The display can be swiveled +/-180° and tilted -3/+25°.
 Adjustable: The length is adjustable in 100 mm steps.

ART. NO.

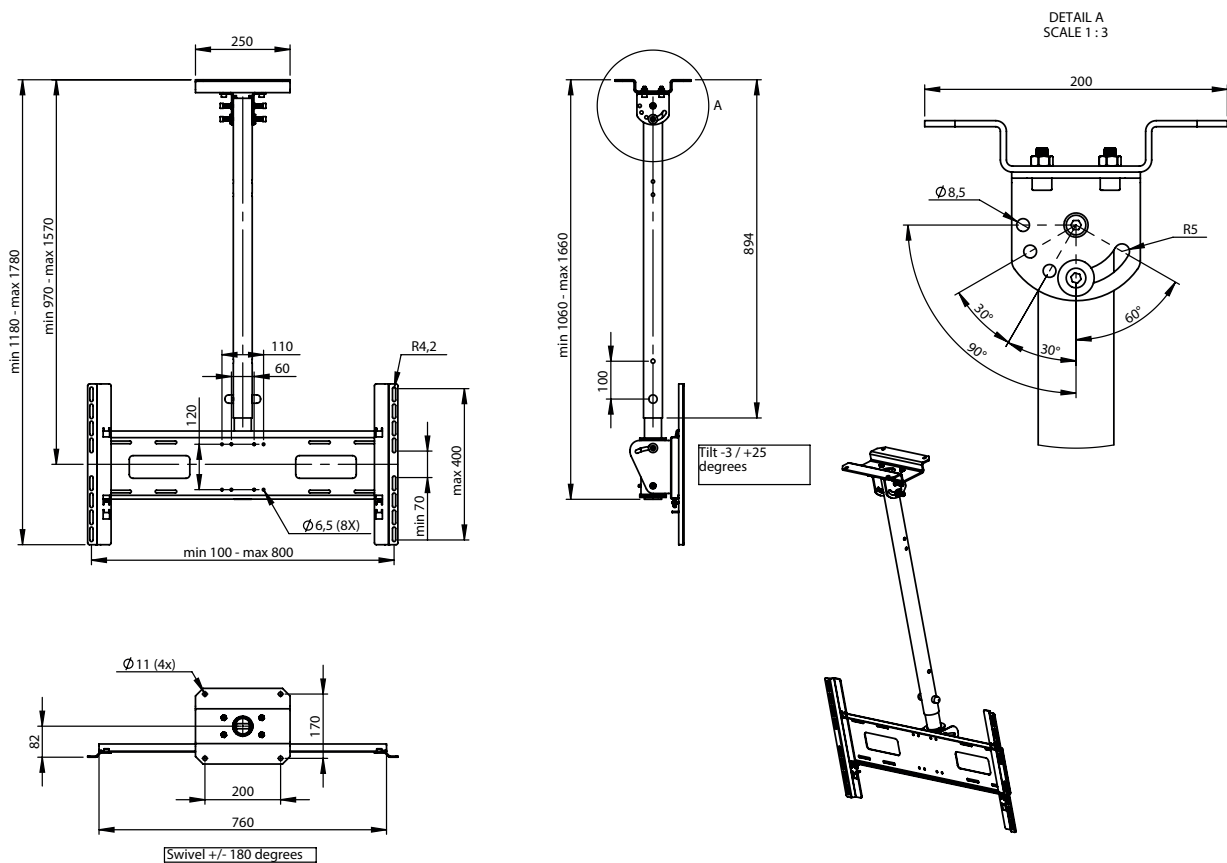
DESCRIPTION
PL061088-P0 Func CH VST2 Landscape Black
PL061089-P0 Func CH VST2 Landscape Silver
PL061096-P0 Func CH VST2 Landscape White
PL061102-P0 Func CH VST2 Landscape Anthracite Grey
PL061105-P0 Func CH VST2 Portrait Black
PL061106-P0 Func CH VST2 Portrait Silver

Available in both landscape and portrait mode.

Note: Cables are fed through the pillar. The adapter plate is prepared with a hole that makes it possible to secure the display with a padlock. Can be mounted in environments with inclined walls and pitched roofs.

Required unislide: Func Flatscreen H Unislide (included).
 VESA standard: 100x100/200x100/200x200/300x100/300x200/300x300/400x100/400x200/400x300/400x400/600x200/600x300/600x400/800x200/800x300/800x400.

PRODUCT DIMENSIONS [mm]



We reserve the right to introduce changes in the product specifications after the printing and publication of this document.