

SMS X SHELVES



When your presentation lies on several levels.
Your presentation will be more impressive if you maintain order over the equipment. Place your DVD player, laptop computer and other equipment onto shelves and brackets that have been designed for the Flatscreen brackets of the X-series. Choose between different materials, designs, dimensions and finishes.

THE SMS X SHELVES CAN BE USED WITH:

SMS Flatscreen X WFH S1955
SMS Flatscreen X WH S605/1105/1455
SMS Flatscreen X FH 1105/1455/1955
SMS Flatscreen X FH M1105/1455/1955
SMS Flatscreen X - FH MD1455/1955
SMS Flatscreen X CH S 605/1105/1455/1955
SMS Flatscreen X CH SD 605/1105/1455/1955

SMS Flatscreen X FH Video Conference
SMS Flatscreen X FM Video Conference
SMS Flatscreen X FH Triangel
SMS Flatscreen X - WFH Video Conference
SMS Flatscreen X - WFM Video Conference
SMS Flatscreen X - WH Video Conference
SMS Flatscreen X - WM Video Conference



SMS X SHELVES

INFO

- Finish: White, oak and walnut.
- Max. load: 20 kg.

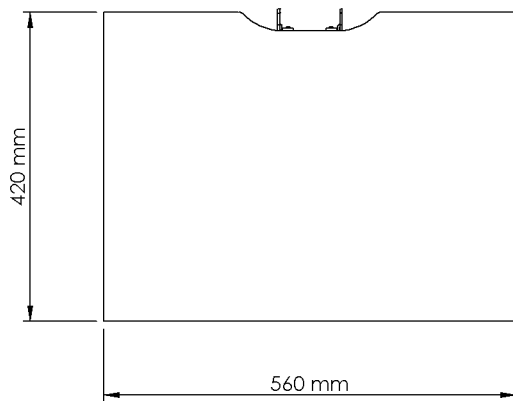
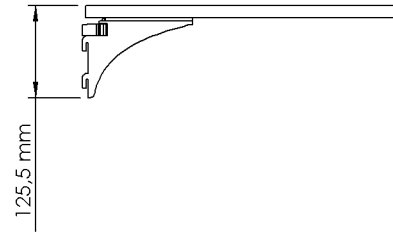
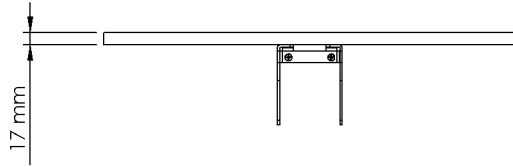
NOTE: Can be placed at a freely chosen position along the column.

ART. NO

PD300005-PO
PD300006-PO
PD300007-PO

DESCRIPTION

SMS X Shelf White
SMS X Shelf Oak
SMS X Shelf Walnut



SMART MEDIA SOLUTIONS

www.SmartMediaSolutions.se