

SMS FLATSCREEN X

FH1105/1455/1955



Quality that lasts.

A graceful floor stand that can support screens up to 100 kg.

The screen can be mounted on the stand in both a vertical and a horizontal position. Ingenious universal fittings ensure simple assembly, giving a safe support for the screen and the possibility to swivel it.

Electrical power sockets can be installed on the rear of the column, as an option. Shelves and cabinets, suitable for a DVD player, for example, are available as options.

The X series is characterised by clean and refined features. The cable holder, for example, into which it is easy to place all cables by hand. The surface finish has also been given extra attention.

X

SMS FLATSCREEN X - FH1105/1455/1955

INFO

- Finish: A/W (Aluminium/white).
- Max. load: 50 kg. The optional accessory SMS X H+ Unislide enables the bracket to bear up to 100 kg.
- Length (column): 1105, 1455 or 1955 mm.

Delivered as standard with our Unislide – SMS X H Unislide, which can be used with all VESA standards from 200 x 200 to 800 x 400 mm. (Screens ~40-55"). The SMS X H+ Unislide is available as an option. This can be used with all VESA standards from 200 x 200 to 1200 x 700 mm. (Screens ~60-80").

ART. NO

PD041001-P0	SMS Flatscreen X FH 1105 A/W
PD041002-P0	SMS Flatscreen X FH 1455 A/W
PD041003-P0	SMS Flatscreen X FH 1955 A/W

DESCRIPTION

ACCESSORIES:

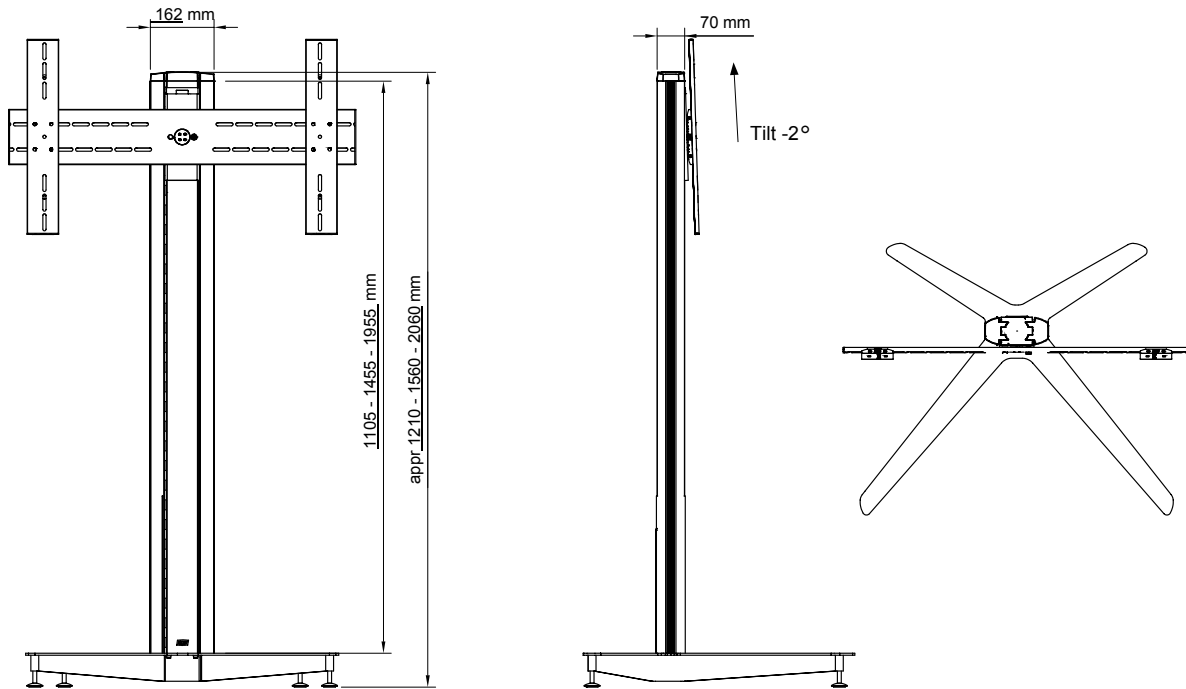
PD100001	SMS Power Socket EU (Schuko)
PD100002	SMS Power Socket CH
PD100003	SMS Power Socket UK
PD210002	SMS X H+ Unislide*
PD300005-P0	SMS X Shelf White*
PD300006-P0	SMS X Shelf Oak*
PD300007-P0	SMS X Shelf Walnut*
PD400001	SMS X Media Box White*
PD400003	SMS X Media Box Oak*
PD400004	SMS X Media Box Walnut*
PD410001	SMS X Media Box Rack Accessory*

* More info in separate data sheet.



All peripheral equipment readily available using practical accessories such as shelves and cabinets.

Electrical power sockets can be mounted at the rear.



SMART MEDIA SOLUTIONS

www.SmartMediaSolutions.se