

# SMS FLATSCREEN L ST KIT

UPDATED!



If you want to add an extra screen to your bracket you will need an extra swivel & tilt handle for each additional screen.  
As the description implies it will make your screen swivel and tilt.

#### EXTRA SWIVEL & TILT HANDLES FOR LIGHTER SCREENS SUITABLE FOR:

SMS Flatscreen WL ST800  
SMS Flatscreen WL ST1200  
SMS Flatscreen WL ST1800  
SMS Flatscreen CL ST400  
SMS Flatscreen CL ST800  
SMS Flatscreen CL ST1200  
SMS Flatscreen CL ST1800  
SMS Flatscreen FL ST800/1200/1800  
SMS Flatscreen FL MST800/1200/1800

- |                               |  |  |                                |
|-------------------------------|--|--|--------------------------------|
| <input type="radio"/> Ceiling | <input type="radio"/> Heavy weight                   | <input type="radio"/> Fixed                    | <input type="radio"/> Variable |
| <input type="radio"/> Wall    | <input type="radio"/> Middle weight                  | <input checked="" type="radio"/> <b>Swivel</b> | <input type="radio"/> UniSlide |
| <input type="radio"/> Floor   | <input checked="" type="radio"/> <b>Light weight</b> | <input checked="" type="radio"/> <b>Tilt</b>   | <input type="radio"/> Hidden   |
| <input type="radio"/> Table   |  | <input type="radio"/> 3D                       | <input type="radio"/> Double   |
|                               |  | <input type="radio"/> Mobile                   |                                |

# SMS FLATSCREEN L ST KIT

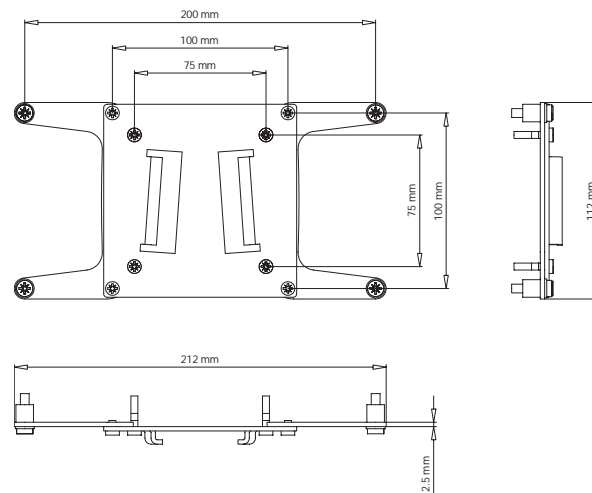
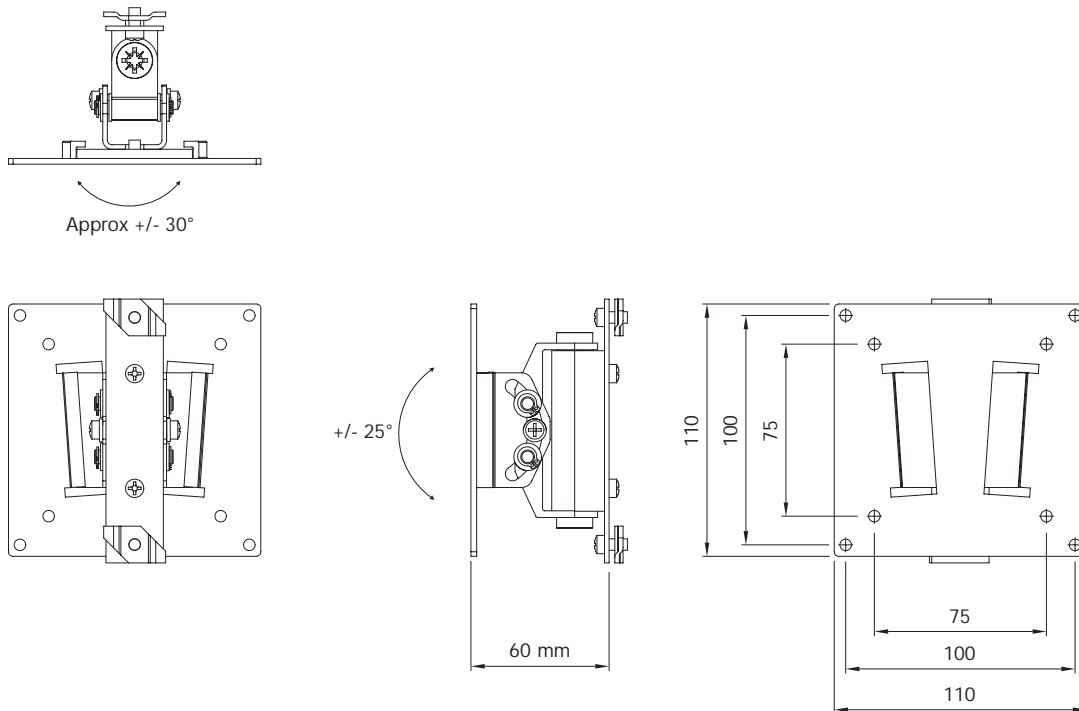
## INFO

- Color: Silver
- Max load: 15 kg
- Swivel & Tilt: The screen can be swiveled approx +/- 80° and tilted +/- 25°

ART. NO  
FS040011

DESCRIPTION  
SMS Flatscreen L ST Kit Silver

Note: Vesa plate 75x75/100x100/200x100 mm is included.



[www.SmartMediaSolutions.se](http://www.SmartMediaSolutions.se)