

SMS CABLE MANAGEMENT



See only what matters.

These days, esthetics do make an impression. So the last thing you need are unsightly cables hanging down from your screen.

With SMS Cable Management, as many as three Scart cables and one net cable can be neatly tucked out of the way. The cable channel can be contoured to follow corners and be extended to the electrical socket. Easy to adapt and install thanks to pre-drilled holes and smart fasteners. Order today!

SMS CABLE MANAGEMENT

INFO

- Color: Aluminium + grey.
- Max load: 3 x Scart + 1 x power cord.
- Weight: 217 g
- Width: 61 mm
- Height/Length: 500/1000 mm
- Total height/length: 550/1050 mm
- Distance from wall: 18 mm
- Depth: 18 mm
- Variable: Can be cut to customized lengths and built to a 90-degree angle in order to draw cables along the wall.

Note: Aluminium frames can be painted or wallpapered.

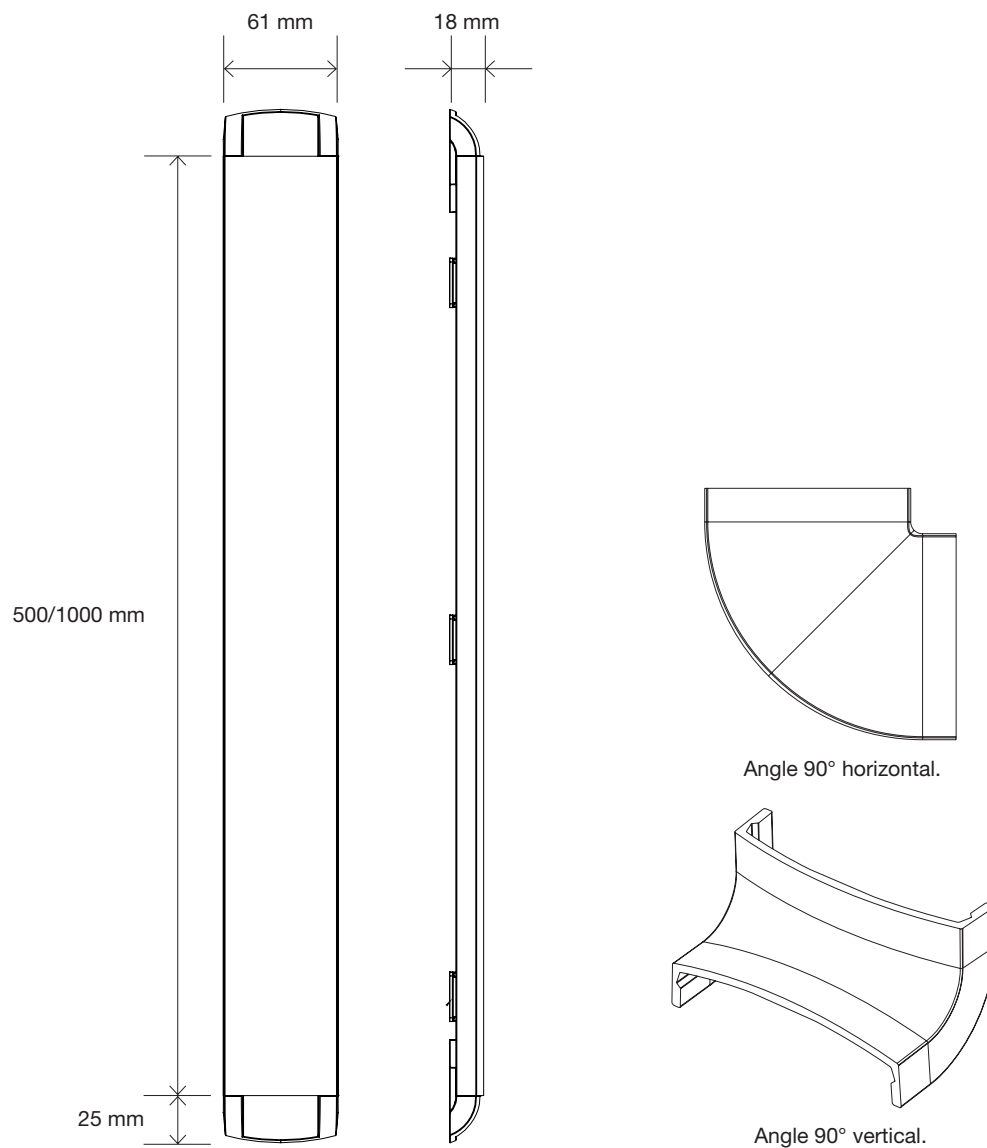
Special features: The packaging itself can be used as a drill template for your convenience.

ART. NO

CM010001
CM010002

DESCRIPTION

SMS Cable Management 500 mm
SMS Cable Management 1000 mm



SMART MEDIA SOLUTIONS

www.SmartMediaSolutions.se