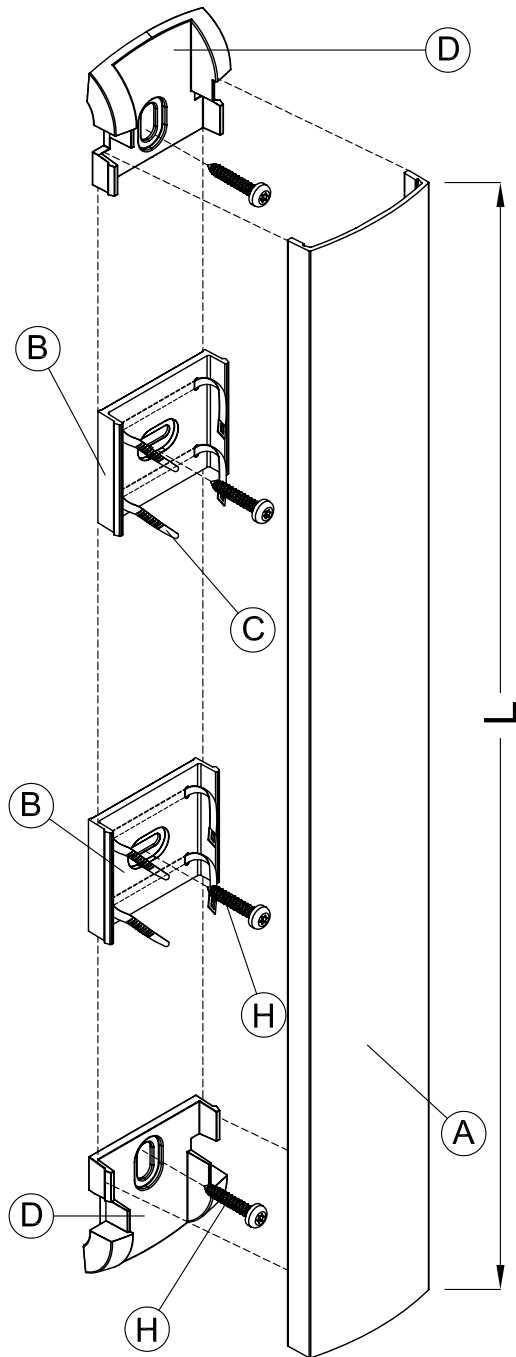
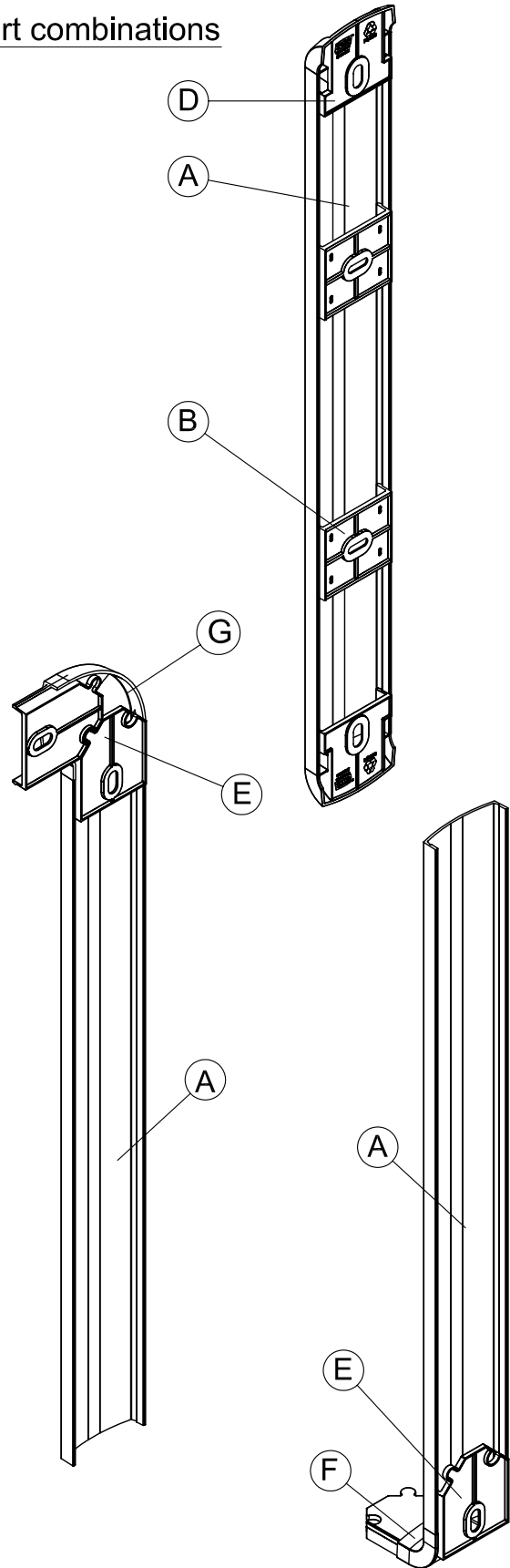


SMS CABLE MANAGEMENT





Part combinations



Contents

A.	Cable profile	2
B.	Cable holder	1-2
C.	Plastic Strap	2-4
D.	Stop piece	2
E.	Cable management support	1
F.	Cable management angle x	1
G.	Cable management angle y	1
H.	Screw kit (Wall screws+plastic plugs +washers 3-4 each)	

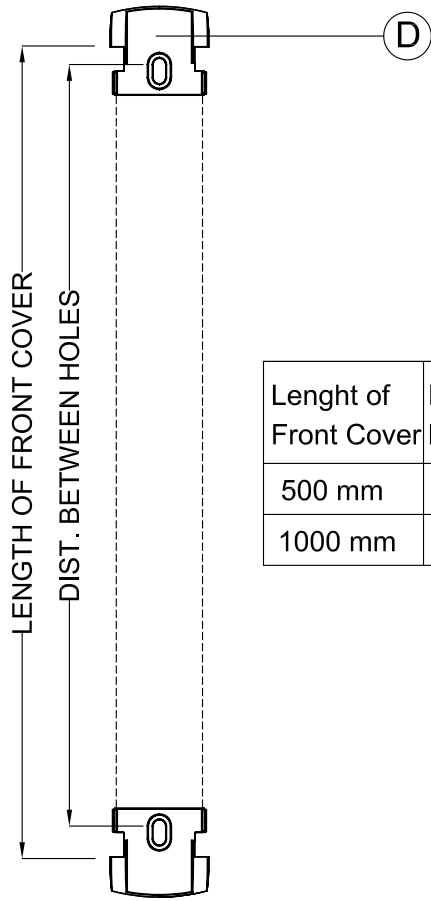
I. Cable (not included)

J. Carpenters level (not included)

NOTE: Please check the type of wall before using wall screws provided.

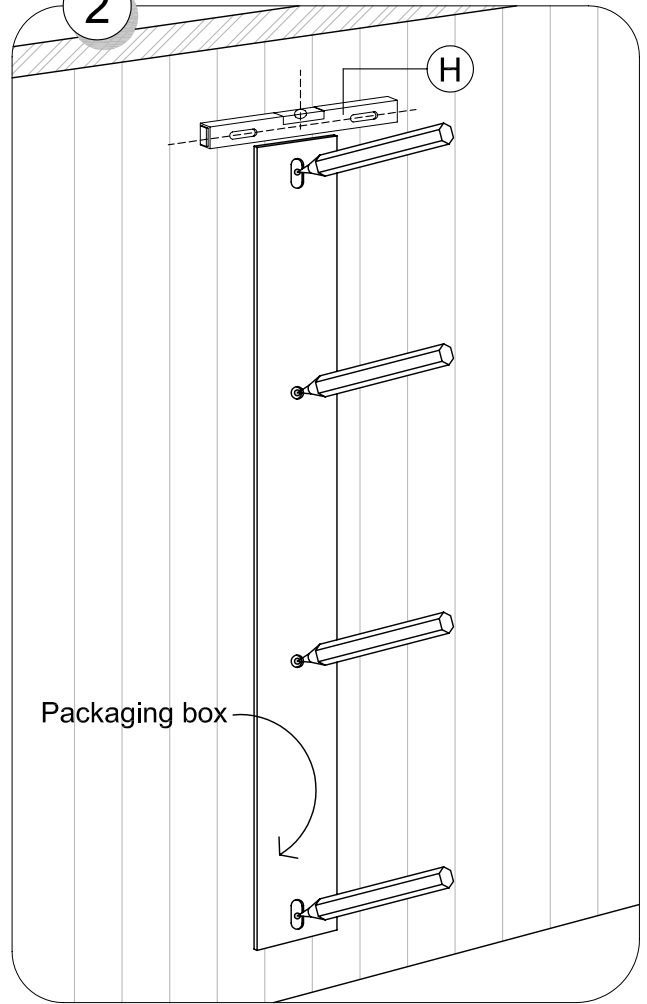
Use the packaging box to mark hole position on the wall.

Holes Pattern for SMS Cable Management

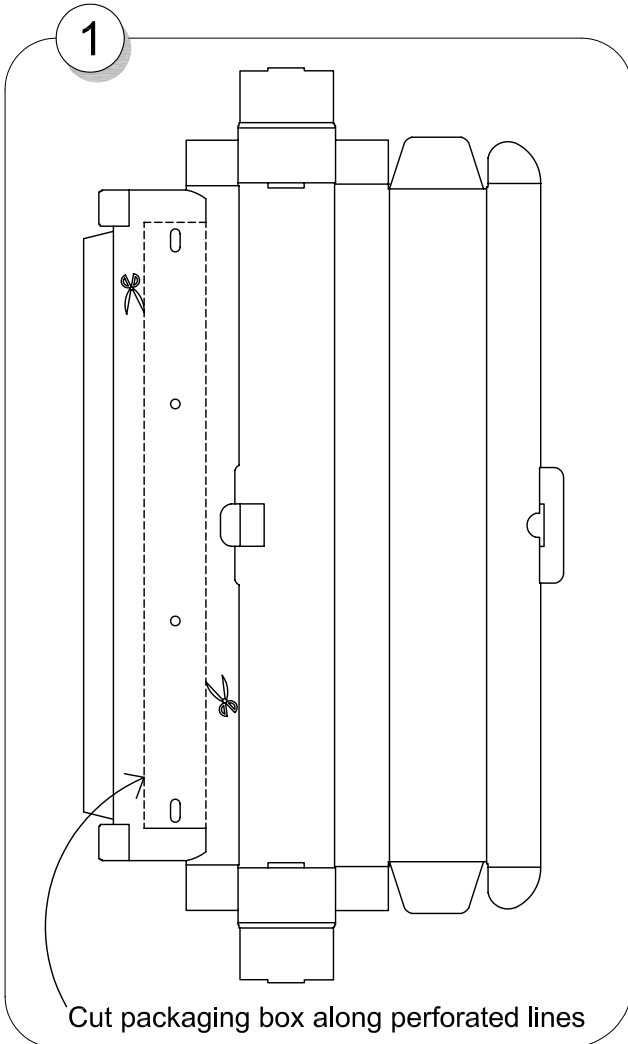


Length of Front Cover	Distance betwn. holes
500 mm	470 mm
1000 mm	970 mm

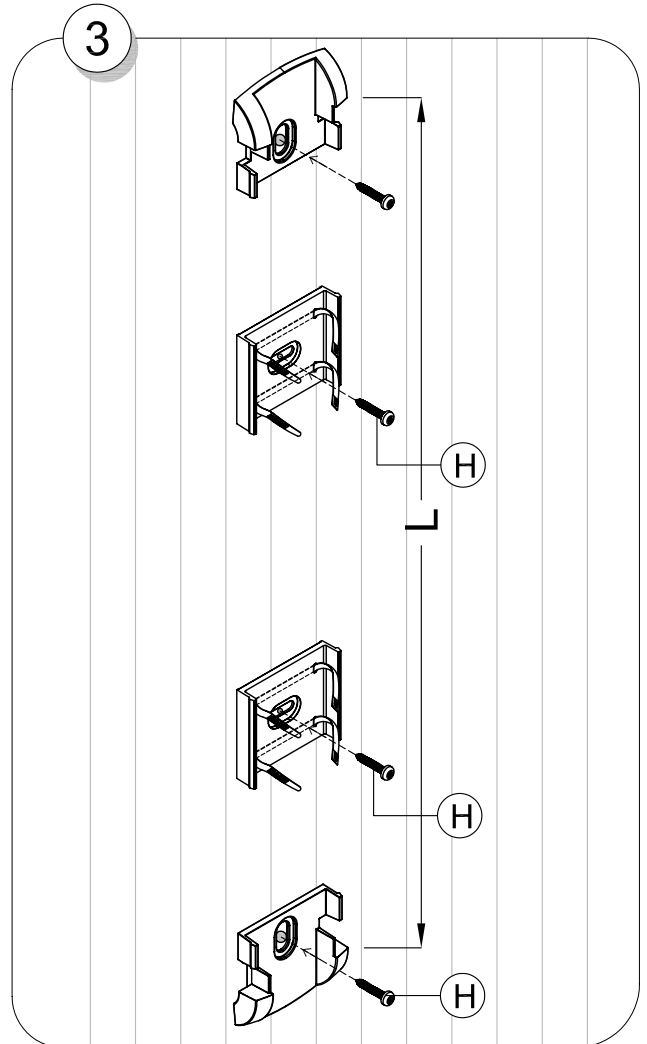
2



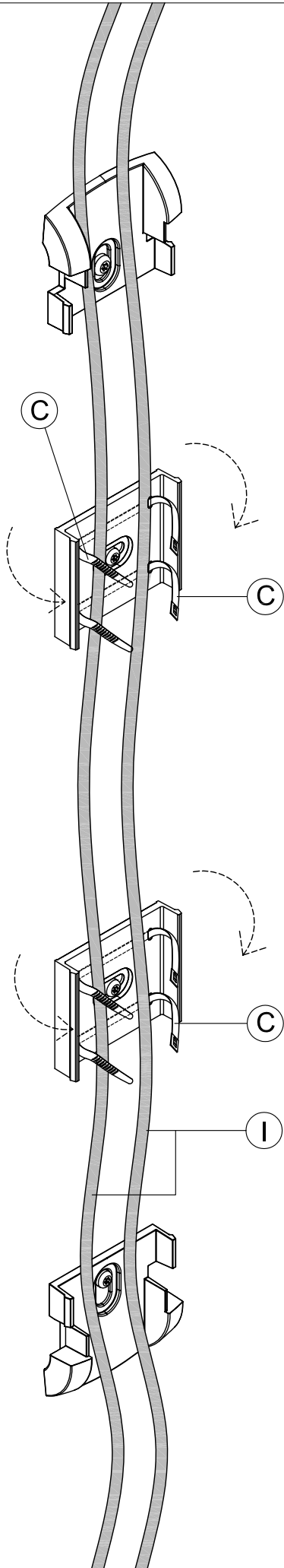
1



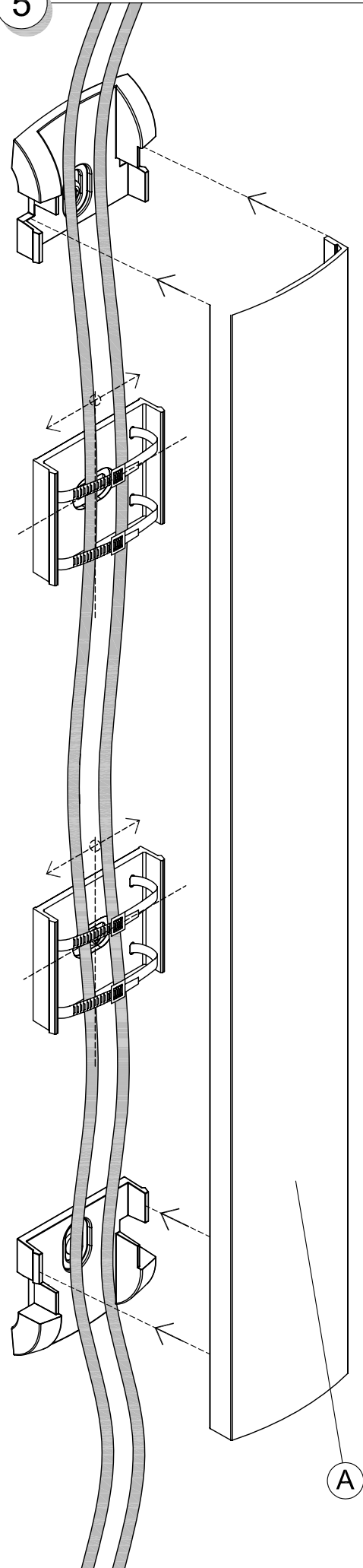
3



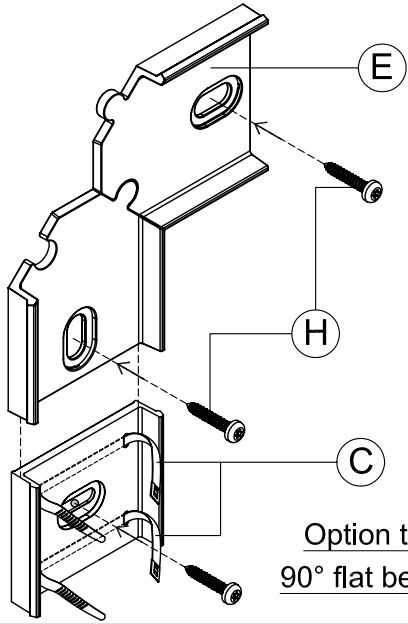
4



5

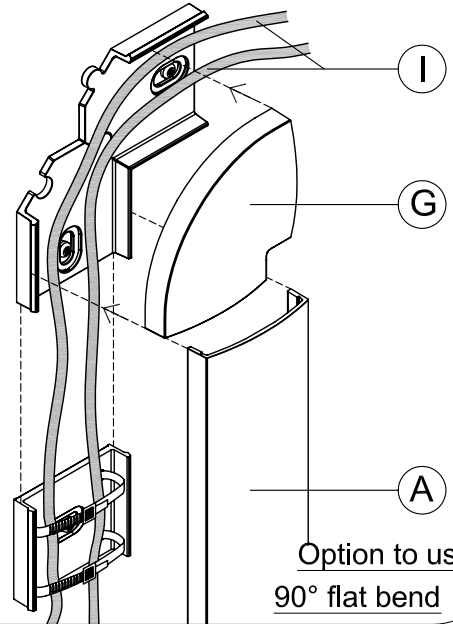


3A



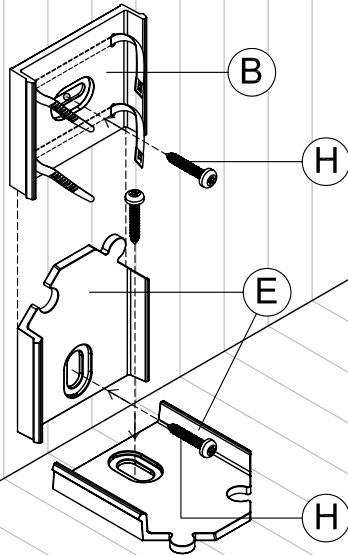
Option to use
90° flat bend

5A



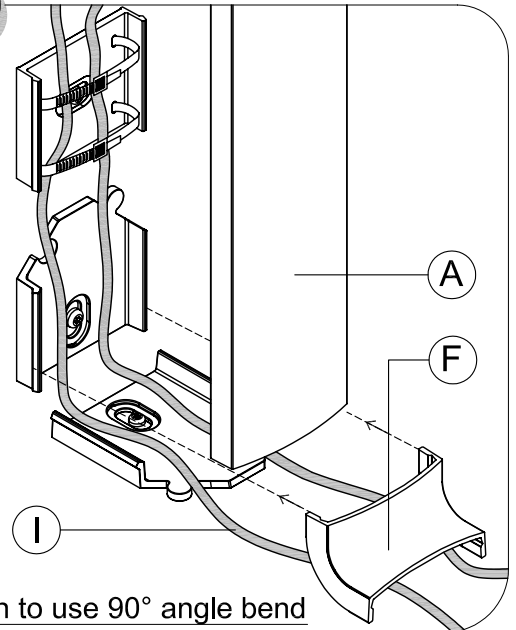
Option to use
90° flat bend

3B



Option to use 90° angle bend

5B



Option to use 90° angle bend

