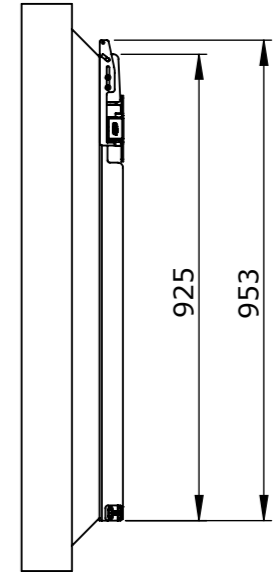
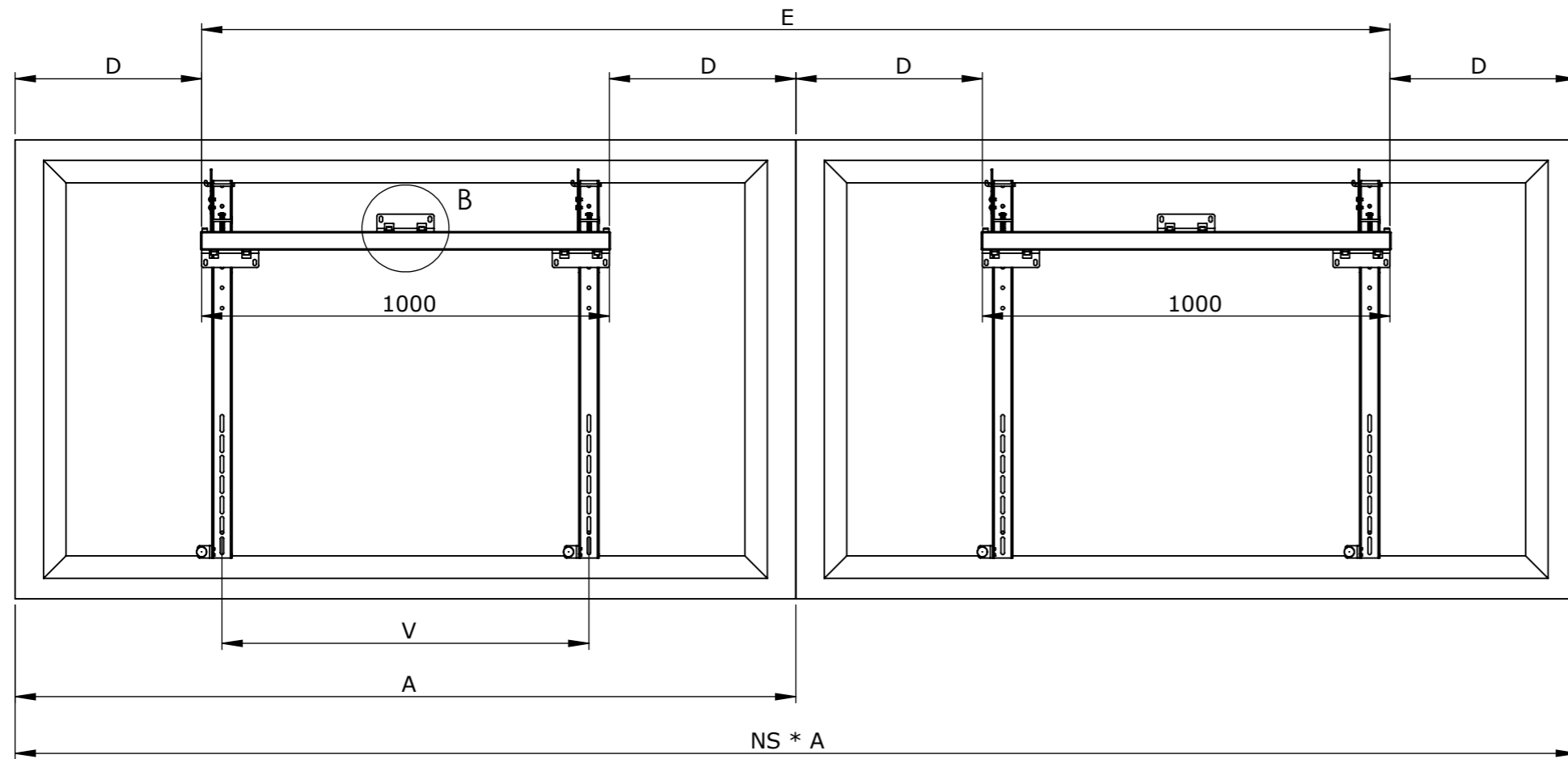
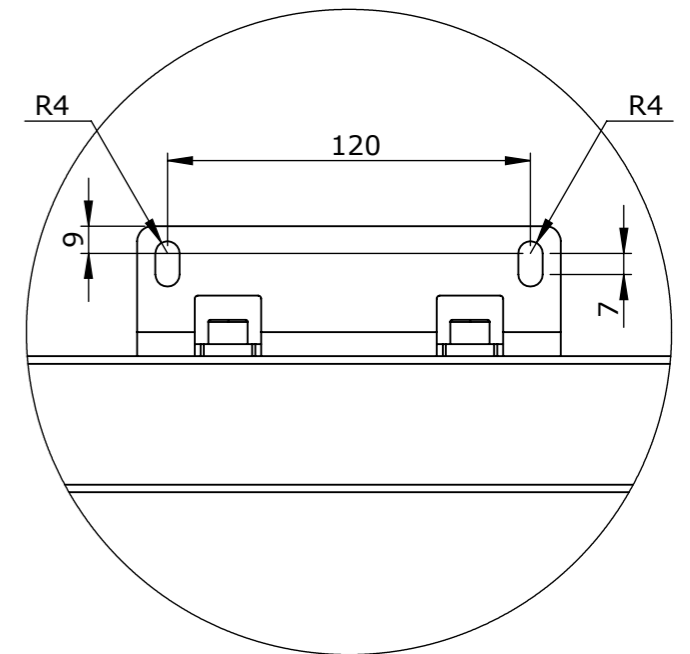
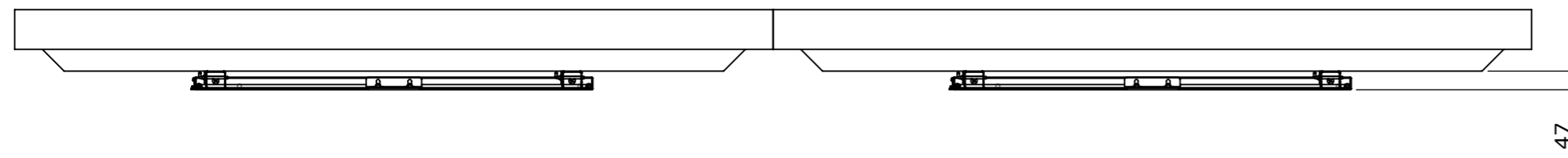


SMS Multi Display Wall XL Video Row Holepattern in the Wall Dimensions (in mm)



DETAIL B
SCALE 2 : 5



Vesa V=300/400/500/600/700 and max 900 mm

$$D = (A - 1000) / 2$$

$$E = (NS * A) - (2 * D)$$

NS=Number of screens
A =Screen width
V =Vesa holepattern