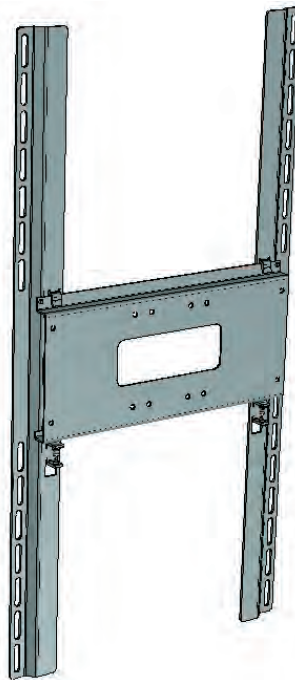
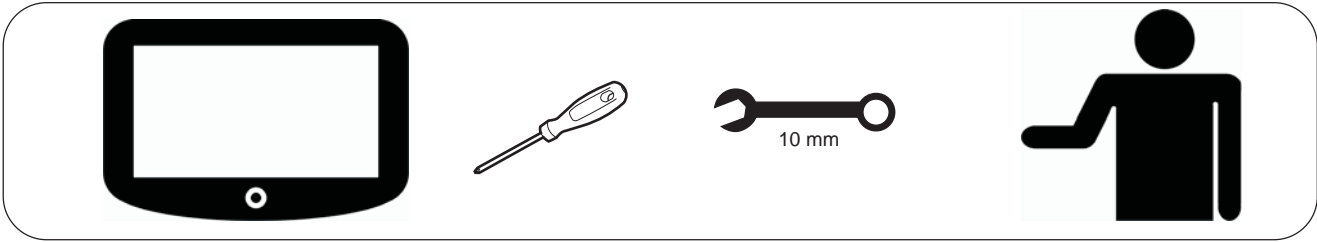


# MANUAL

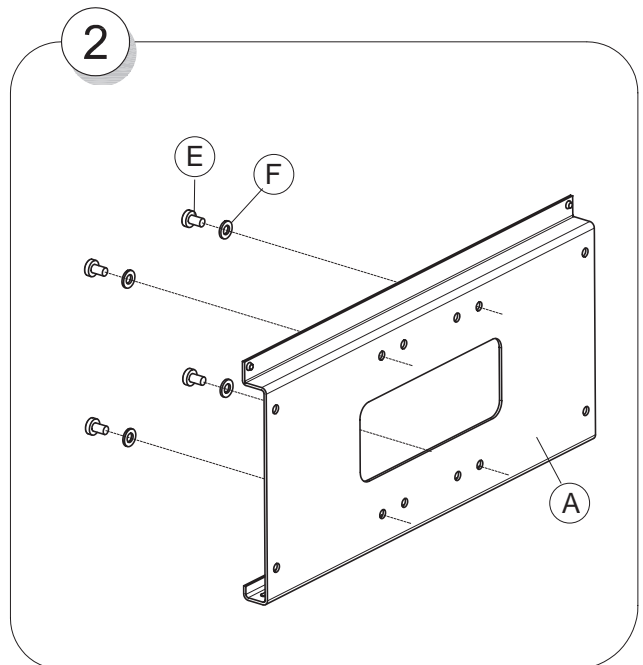
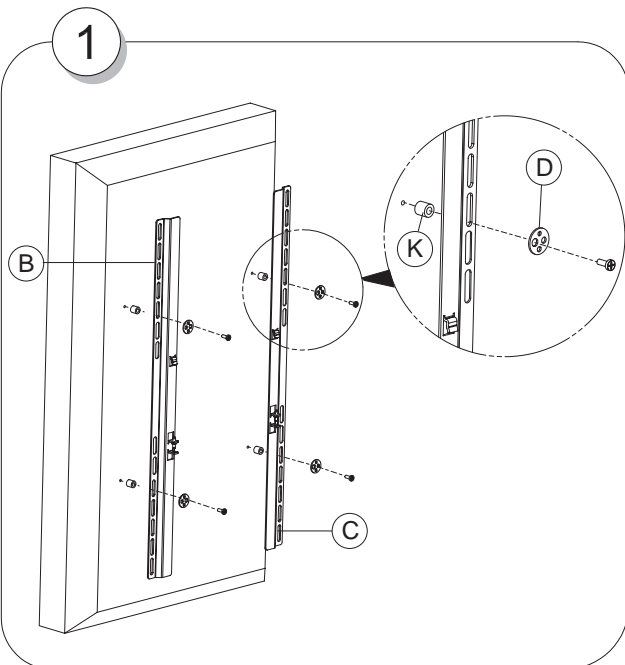
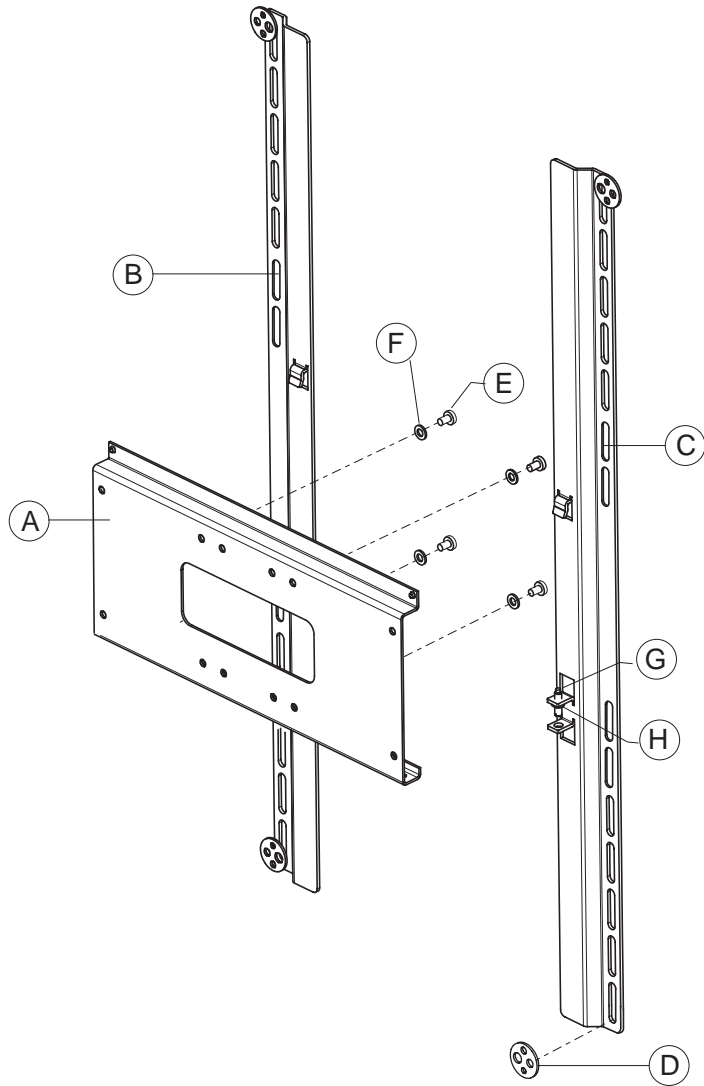
- GB** – Instructions for Mounting
- DE** – Montageinformation
- IT** – Istruzioni per il montaggio
- ES** – Instrucciones para el montaje
- FI** – Asennusohjeet
- FR** – Instructions de montage
- NL** – Montagevoorschriften
- PL** – Instrukcja montażu
- RUS** – Инструкция по монтажу
- ARB** – عربي - طريقة التركيب
- SE** – Monteringsinstruktion
- GR** – Πληροφορίες συναρμολόγησης



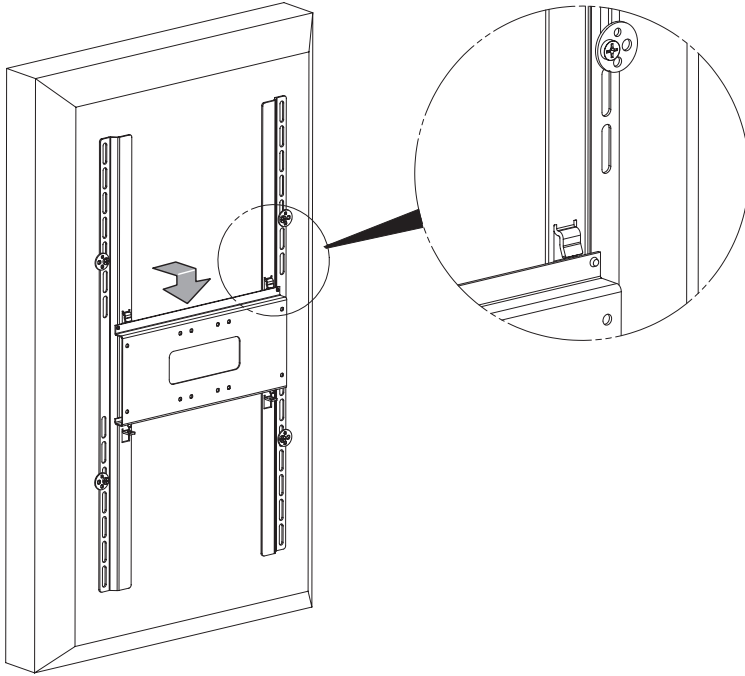


A	Central Plate	1	
B	Bar Left	1	
C	Bar Right	1	
D	Multiple Washer	4	
E	Screw M6x10	4	
F	Washer 6,4	4	
G	Screw M6x25	2	
H	Nut M6	2	

K	Screw Bag	1
	Screw M6x16	4
	Screw M6x30	4
	Screw M8x20	4
	Screw M8x40	4
	Plastic Spacer 8,2/15x15	4
	Plastic Spacer 8,2/15x10	4



3



4

