

Func CH VST2



Strong functionality.

Our classical ceiling mount Func CH VST2 is both strong and neat at the same time. The functionality is outstanding! The Func CH VST is tiltable to provide the best viewing angle. Cables are discreetly fed through the pipe. The Func CH VST2 is simply a reliable choice for your heavy display.

The design of the unislide is user friendly and easy to mount. The design of the ceiling plate allows you to mount the bracket even if the ceiling is inclined. The Func Flatscreen H Unislide is included in the package.

Available in both landscape and portrait mode!

INFO

Color: Black, silver, white or anthracite grey.

Max weight load: 50 kg.

Total length (from ceiling to display center line): 970-1570 mm.

Swivel and tilt: The display can be swiveled +/-180° and tilted -3/+25°.

Adjustable: The length is adjustable in 100 mm steps.

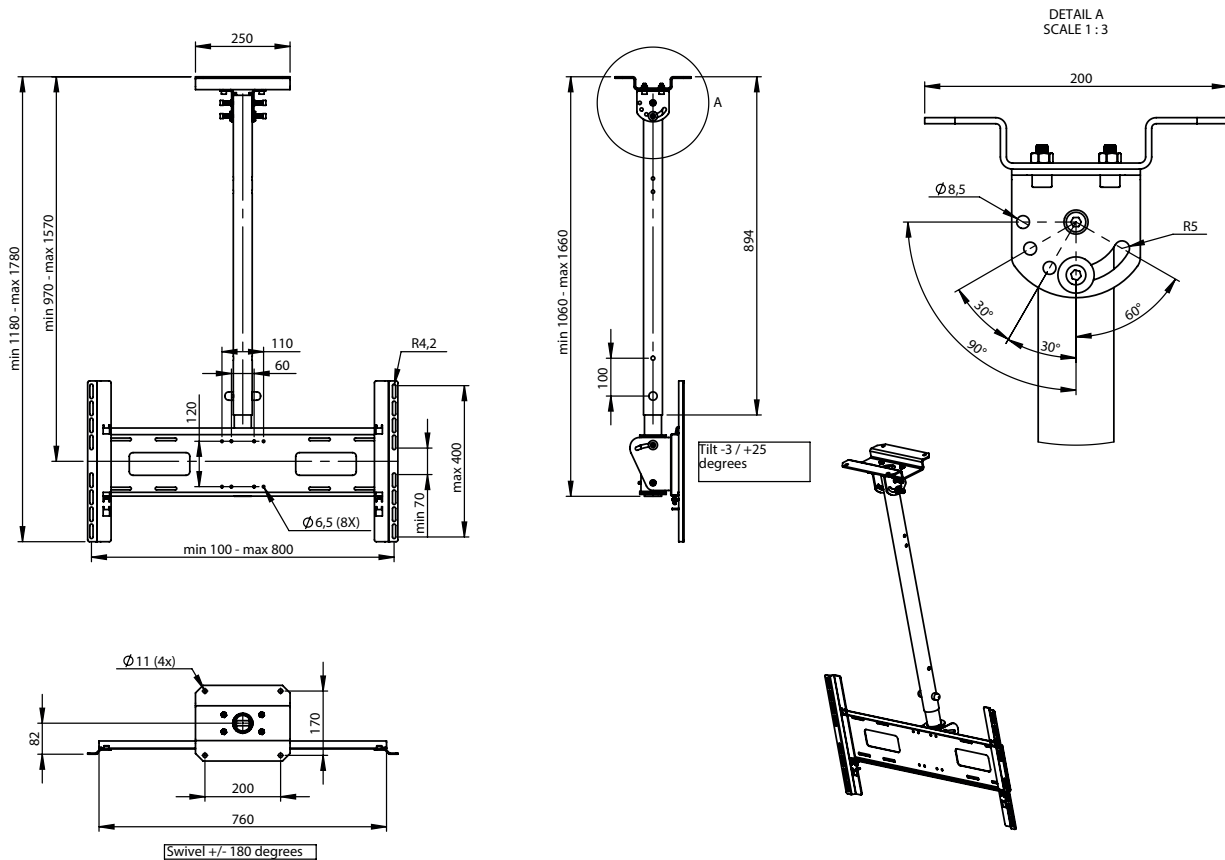
Available in both landscape and portrait mode.

Note: Cables are fed through the pillar. The unislide is prepared with a hole that makes it possible to secure the display with a padlock (not included). Can be mounted in environments with slanted ceilings.

Required unislide: Func Flatscreen H Unislide (included).

VESA standard: 100x100/200x100/200x200/300x100/300x200/300x300/400x100/400x200/400x300/400x400/600x200/600x300/600x400/800x200/800x300/800x400.

PRODUCT DIMENSIONS [mm]



ART. NO.

PL061088-P0

DESCRIPTION

Func CH VST2 Landscape Black

PL061089-P0

Func CH VST2 Landscape Silver

PL061096-P0

Func CH VST2 Landscape White

PL061102-P0

Func CH VST2 Landscape Anthracite Grey

PL061105-P0

Func CH VST2 Portrait Black

PL061106-P0

Func CH VST2 Portrait Silver

PL061107-P0

Func CH VST2 Portrait White