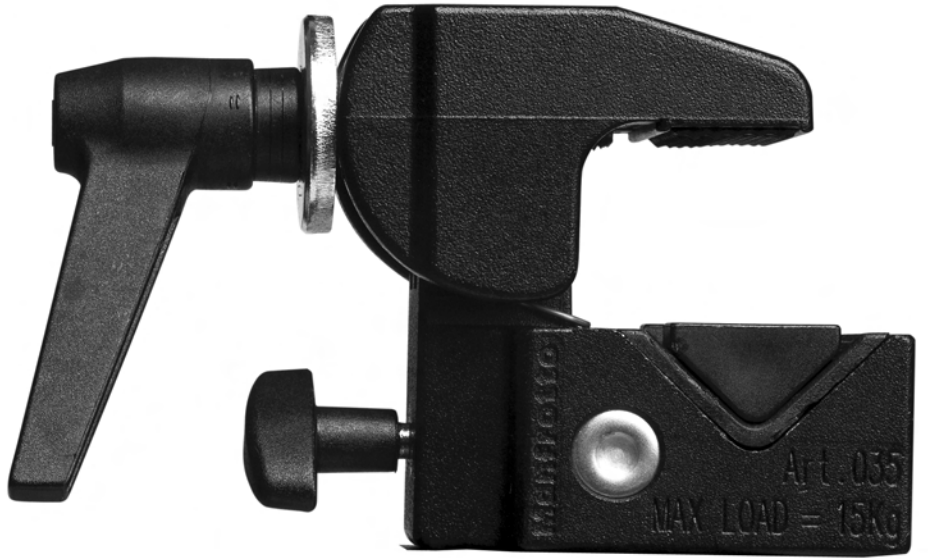
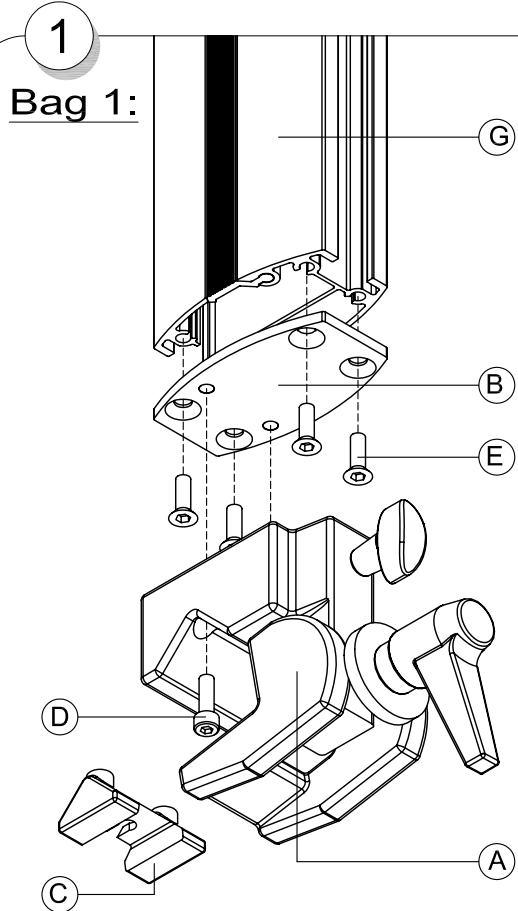


CLAMP

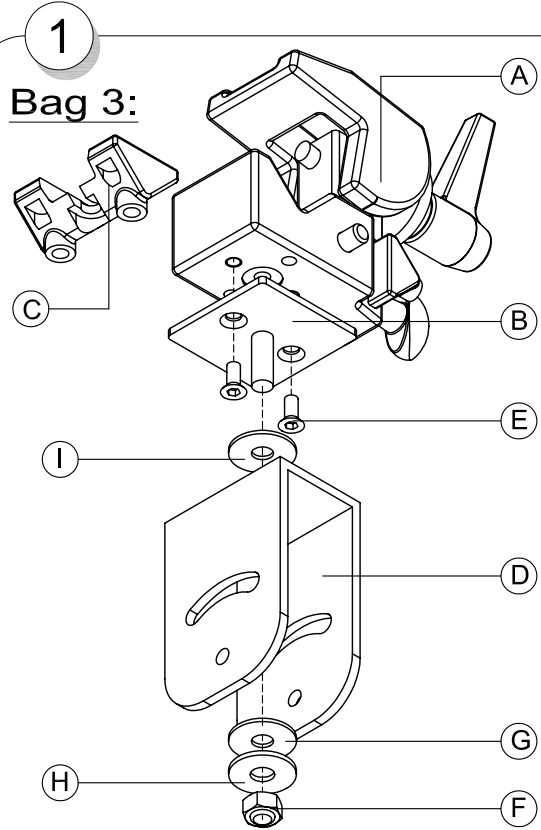




1
Bag 1:

For SMS Flatscreen L

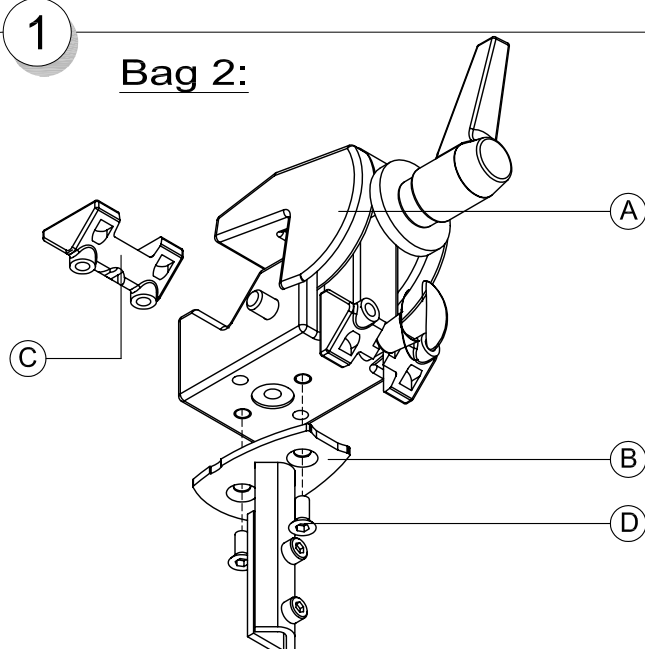
Contents : Bag 1		
A.	Clamp	1
B.	Screw mounting plate	1
C.	Triangular plastic part	1
D.	Screws M5x16	2
E.	Countersunk screws	4
F.	Allen Key in Bag 3	2
G.	Aluminium pillar (not included)	-



1
Bag 3:

For SMS Projector CL V

Contents : Bag 3		
A.	Clamp	1
B.	Screw mounting plate	2
C.	Triangular plastic part	1
D.	'U' Bracket (colour option)	2
E.	Countersunk screws	2
F.	Nut	1
G.	Thick plastic washer	1
H.	Metal washer	1
I.	Thin plastic washer	1
J.	Allen Key	2

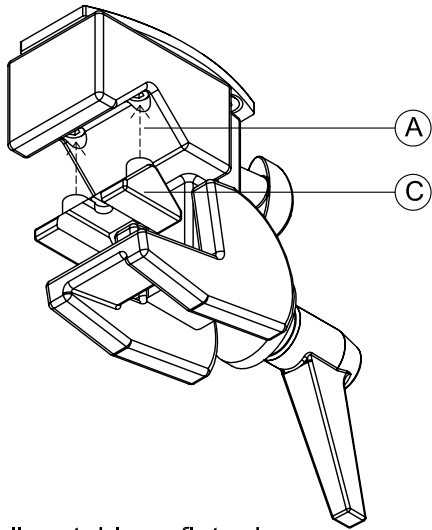


1
Bag 2:

**For SMS Projector CL F
and
SMS Projector CL FST**

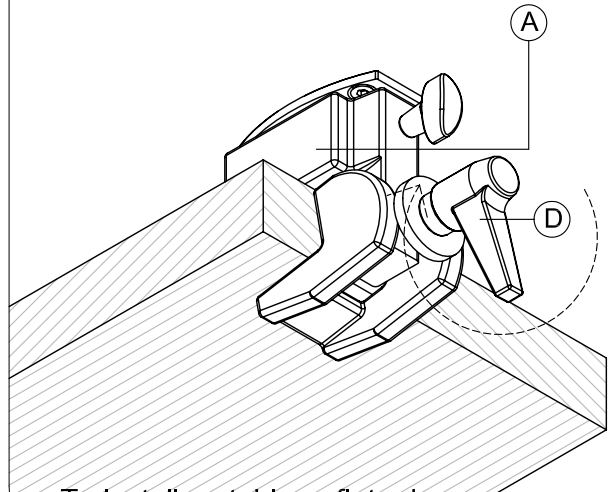
Contents : Bag 2		
A.	Clamp	1
B.	Screw mounting plate	1
C.	Triangular plastic part	1
D.	Countersunk screws	2
E.	Allen Key	2

2



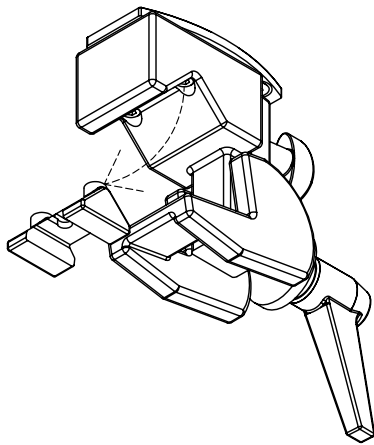
To install on table or flat edge

3



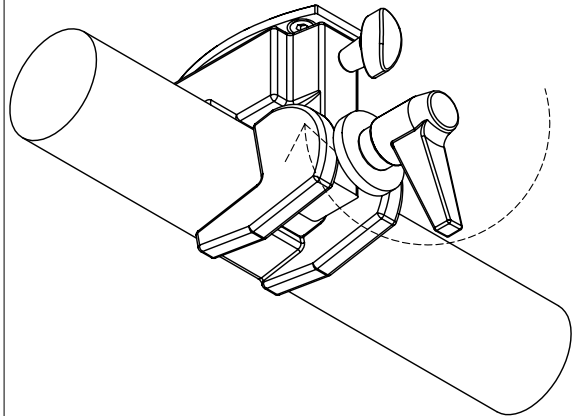
To install on table or flat edge

4



To install on pipe or circular surface

5



To install on pipe or circular surface

