

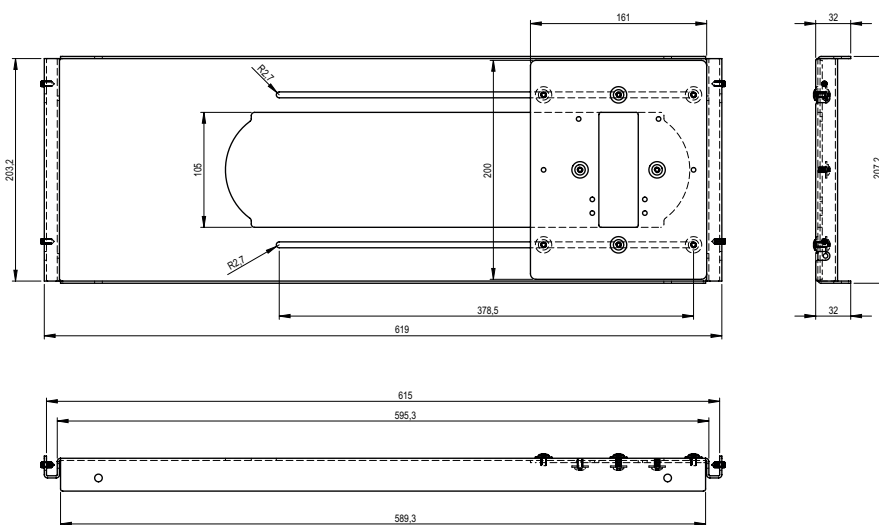
SMS SUSPENDED CEILING PLATE



SMS Suspended Ceiling Plate is used for mounting our popular projector brackets in suspended ceilings.

The product fits suspended ceiling bars with measurements 600x600 mm and 600x1200 mm, and you do not have to drill holes in the ceiling. The ceiling plate is attached to the suspended ceiling bars and facilitates a quick installation. The projector mount can be moved approximately 300 mm sideways after installation. For projectors of maximum 20 kg weight.

▲ TECHNICAL DRAWING (MM)



▲ INFO

Colour: White

Maximum weight projector: 20 kg

Fits projector brackets: SMS Projector CL V / SMS Projector CL F / SMS Projector Precision CM V / SMS Projector Precision CM F

Guarantee: 5 years

Other: Securing wire and other accessories for installation are not included.

▲ ABOUT THE PRODUCT

- For mounting of our popular projector brackets in suspended ceilings.
- The product fits suspended ceiling bars with measurements 600x600 mm and 600x1200 mm, and you do not have to drill holes in the ceiling.
- The ceiling plate is attached to the suspended ceiling bars and facilitates a quick installation.
- For projectors of maximum 20 kg weight.



▲ SIMPLE ORDERING

ART. NO.

AE060001 SMS Suspended Ceiling Plate