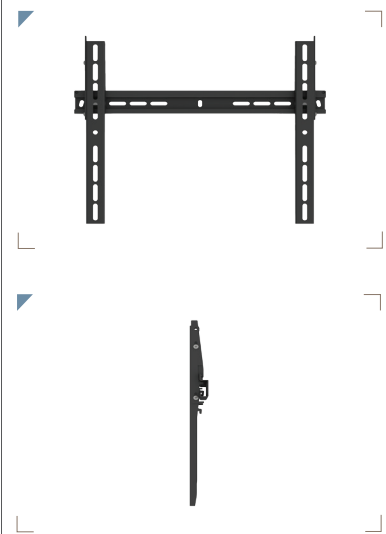


FUNC BRACKY



Universal wall bracket with fixed tilt.

Simple and fast to mount. It can, furthermore, be locked by a locking pin (included) or padlock (not included) for improved personal safety and security from theft. Can be tilted 5 degrees. Suitable for Vesa hole patterns with maximum dimensions 400 x 400 mm and minimum dimensions 100 x 100 mm.

INFO

- **Finish:** Black
- **Max. load:** 50 kg
- **Fixed tilt:** +5°
- **Minimum VESA:** 100 x 100
- **Maximum VESA:** 400 x 400
- **Warranty:** 5 years.

ARTICLE NO:
FS011050 Func Bracky

TECHNICAL DRAWING (MM)

FS011050 / Func Bracky

